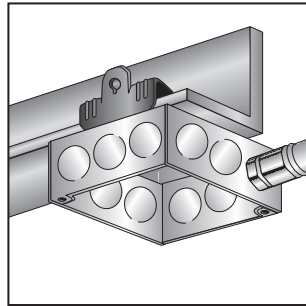
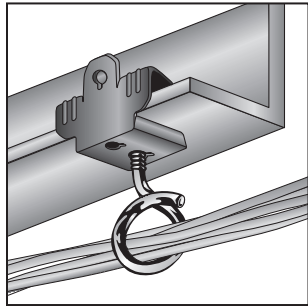


## BEAM CLAMPS

### Static Load Limit: 75lbs or 100lbs

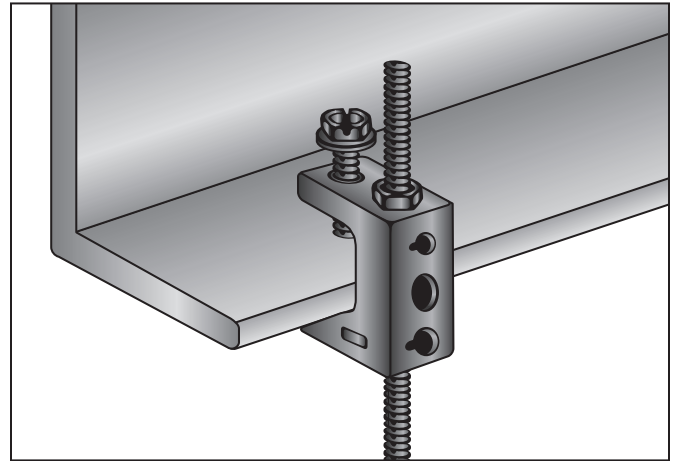
- Can be used to suspend boxes, fixtures and bridle rings to beam flanges  $\frac{1}{8}$ " to  $\frac{3}{4}$ " thick.
- Beam Clamp with  $\frac{1}{4}$ "-20 x  $\frac{3}{8}$ " staked stud used to suspend box from bottom of beam.

**NOTE:** Static load limits cannot be combined.

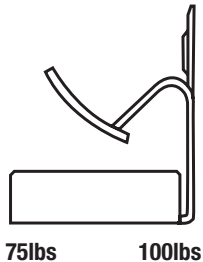


### Static Load Limit: 100lbs

- Fast installation; fits beam flange to  $\frac{1}{2}$ ".
- Used with  $\frac{1}{4}$ " and  $\frac{3}{8}$ " threaded rod, "S" hooks, conduit hangers, electrical boxes, and #10-24 or  $\frac{1}{4}$ "-20 bridle rings.
- Tapping  $\frac{1}{4}$ "-20 bottom and back. Also #10-24 tapping on back.



### Static Load Limit



75lbs

100lbs

BC18

BC18ST

500

Flange Thickness	Part #	Std Pkg
Bottom & Back Tapped $\frac{1}{4}$ "-20		
$\frac{1}{8}$ - $\frac{1}{4}$	BC18 ★	100
$\frac{5}{16}$ - $\frac{1}{2}$	BC516 ★	100
$\frac{9}{16}$ - $\frac{3}{4}$	BC916 ★	100
$\frac{1}{4}$ "-20 x $\frac{3}{8}$ " Stud		
$\frac{1}{8}$ - $\frac{1}{4}$	BC18ST	100
$\frac{5}{16}$ - $\frac{1}{2}$	BC516ST	100
$\frac{9}{16}$ - $\frac{3}{4}$	BC916ST	100

Accommodates		Part #	Std Pkg
Flange	Drop Rod		
Up to $\frac{1}{2}$ " Thick	$\frac{1}{4}$ - $\frac{3}{8}$ "	500	100